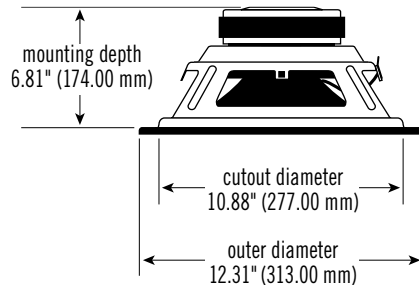


SPECIFICATIONS

DIAMETER:	12" (304.8 mm)
SENSITIVITY (2.83 V @ 1 m):	94 dB
POWER HANDLING:	300 W _{RMS} (1,200 W _{PEAK})
FREQUENCY RESPONSE:	20 ~ 450 Hz
NOMINAL IMPEDANCE:	2 OHMS (PER COIL)
VOICE-COIL DIAMETER:	3.0" (76.2 mm)

DIMENSIONS:

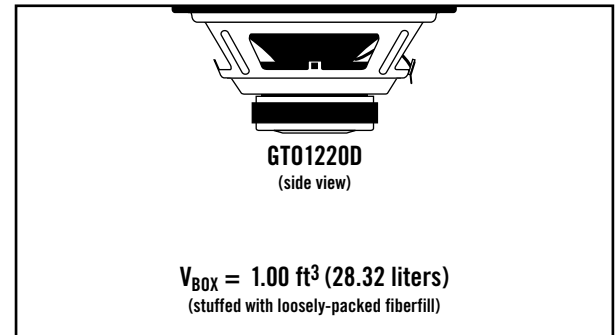


THIELE-SMALL PARAMETERS*

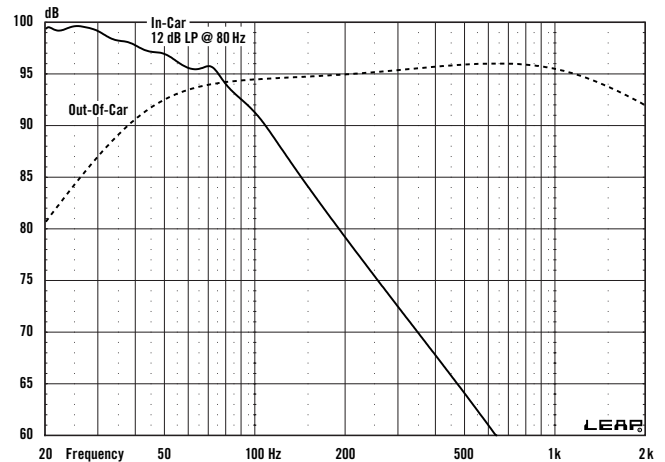
VOICE COIL DC RESISTANCE:	R_{EVC} (OHMS)	1.000
VOICE COIL INDUCTANCE @ 1 kHz:	L_{EVC} (MH)	0.193
DRIVER RADIATING AREA:	S_D (IN ²)	74.71
	S_D (CM ²)	482.00
MOTOR FORCE FACTOR:	BL (TM)	8.68
COMPLIANCE VOLUME:	V_{AS} (FT ³)	1.96
	V_{AS} (LITERS)	55.46
SUSPENSION COMPLIANCE:	C_{MS} (µM/N)	168.09
MOVING MASS, AIR LOAD:	M_{MS} (GRAMS)	212.93
MOVING MASS, DIAPHRAGM:	M_{MD} (GRAMS)	206.84
FREE-AIR RESONANCE:	F_S (HZ)	26.60
MECHANICAL Q:	Q_{MS}	6.69
ELECTRICAL Q:	Q_{ES}	0.47
TOTAL Q:	Q_{TS}	0.44
MAGNETIC-GAP HEIGHT:	H_{AG} (IN)	0.47
	H_{AG} (MM)	12.00
VOICE-COIL HEIGHT:	H_{VC} (IN)	1.28
	H_{VC} (MM)	32.50
MAXIMUM EXCURSION:	X_{MAX} (IN)	0.40
	X_{MAX} (MM)	10.25

*VOICE COILS CONNECTED IN PARALLEL

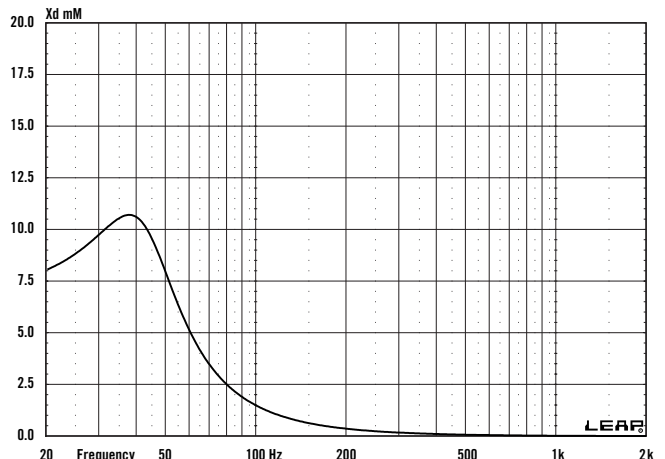
SEALED BOX VOLUME (INCLUDES DRIVER DISPLACEMENT)



SEALED FREQUENCY RESPONSE @ 2.83 V



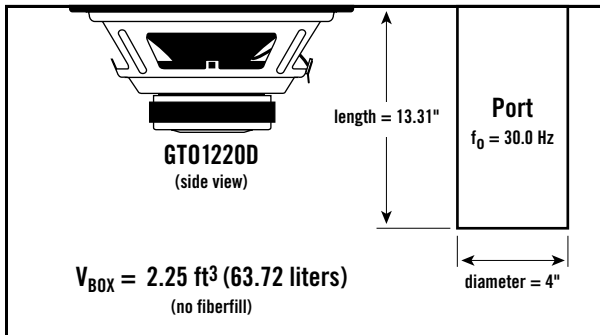
SEALED TRANSDUCER EXCURSION @ 400 W



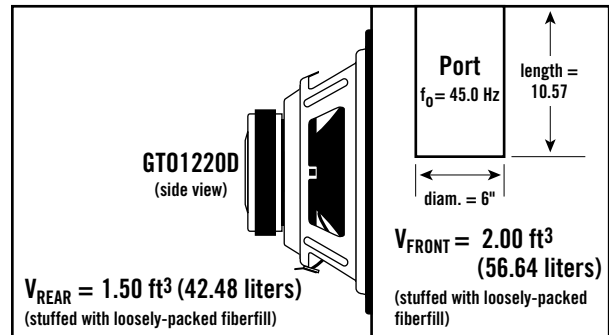


GT01220D 12" Woofer – Technical Data

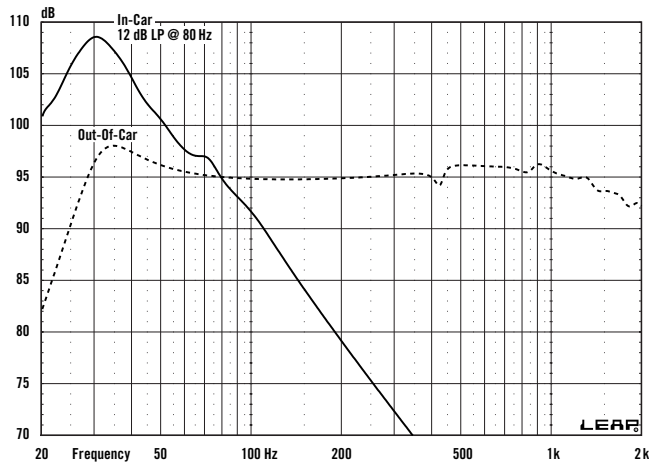
VENTED BOX VOLUME (INCLUDES DRIVER/PORT DISPLACEMENTS)



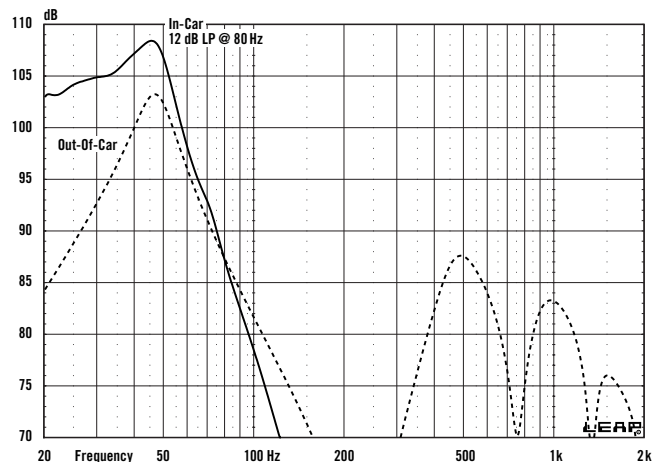
SEALED BANDPASS BOX VOLUME (INCLUDES DRIVER/PORT DISPLACEMENTS)



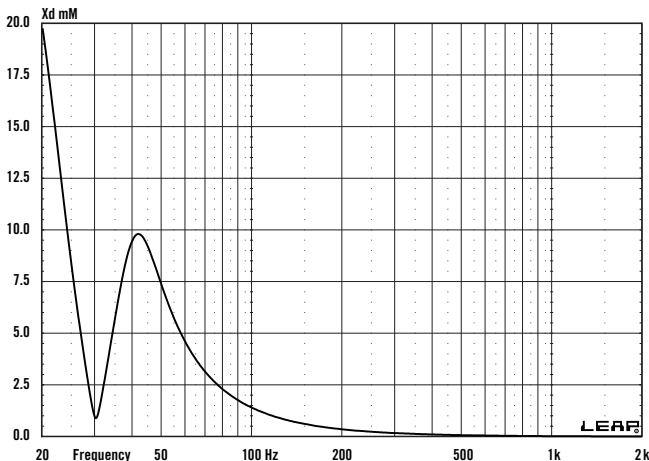
VENTED FREQUENCY RESPONSE @ 2.83 V



SEALED BANDPASS FREQUENCY RESPONSE @ 2.83 V



VENTED TRANSDUCER EXCURSION @ 400 W



SEALED BANDPASS TRANSDUCER EXCURSION @ 300 W

